

THE LEGEND IS BACK!



HONDEX
by HONDA ELECTRONICS

Smart Investment for Big Catch

HE-770

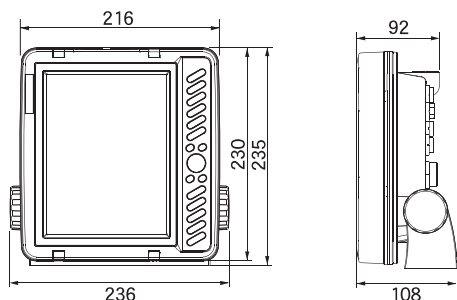
7" Wide Color LCD Fish Finder



HONDEX. HE-770

DIMENSIONS

Unit:mm



SPECIFICATIONS

Display	7 inch wide LCD
Number of Pixel	480 × 234
Operating Voltage	11-35V DC
Power Consumption	8.4W
Display Style	Portrait, Landscape & Reverse
Dimension	235(H) × 236(W) × 108(D)mm
Weight	Approx. 1.4kg
Frequency & Power Output	50/200kHz , 600W
Depth Range	0 - 3,000 Feet 5 - 1,000 Meters / Fathoms / Brazas
Sweep Speed	4 steps plus freeze
Sounding Rates	Normal : Max. 1800 times/min.
Fish Alarm	Off / S / M / L
Depth Alarm	Off / On
Expansion	Off / Auto / Manual / Bottom Lock
Expansion Rate	× 2 / × 4 / × 8
Clean Echo	Off / Weak / Strong
Pulse Length	Short / Medium / Long
Color Configuration	6 patterns
Scale Unit	Meters, Fathoms, Feet or Brazas
Water Temperature	Digital & Graph (Optional sensor required)
Water Temp. Alarm	Off / On (Optional sensor required)
Internal Simulation	Off / On
NMEA Output	Depth (DBT sentence) Water Temp. (MTW sentence)
Backlight	Adjustable
Pulse Length Variable	Short / Medium / Long
Language	English / Spanish / Italian / Portuguese / Greek / Chinese / Korean / Thai / Vietnamese
Other Functions	Auto Range (Off / On), Auto Gain (Off / Low /High), A-mode (Off / On), Background Color Selection (Black, Blue, White, Darkblue and Green), NMEA Input (GGA, GLL, VTG)

Sun Viewable Clear Display

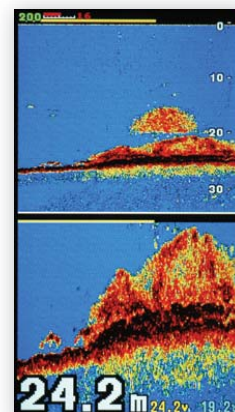
"Multi-Display Split"
for your Preference

50/200kHz Dual Frequency

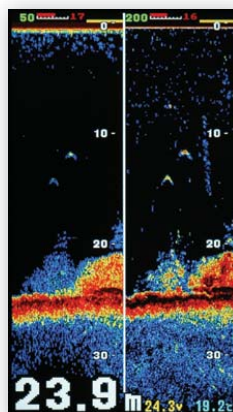
DISPLAY VIEW



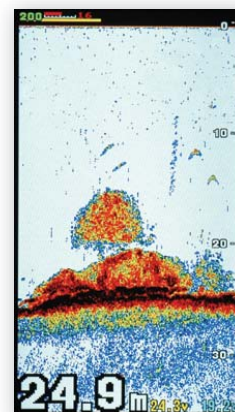
Multi-Lingual Menu



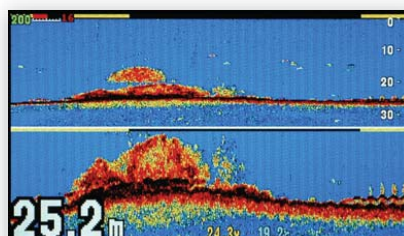
Lower: Expansion



Black (Portrait)



White (Portrait)



Landscape

Specifications are subject to change without notice.

Dealer



HONDEX is trade name of
HONDA ELECTRONICS CO.,LTD.

20 Oyamazuka,Oiwacho,
Toyohashi,Aichi,Japan 441-3193

TEL:81-532-41-2512

FAX:81-532-41-4441

<http://www.hondex.co.jp/>



2010.12.17