

Next Evolution of Commercial Fishing

Easy - Operation Echo Sounder
50&200kHz Fixed Frequency Model



Dual Freq.
(50&200kHz)



from **Single**
TD Case

Output Power

1kW

HIGH POWER

2kW

HIGH POWER

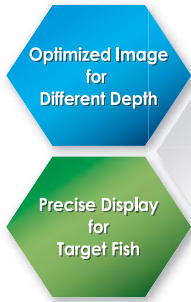
3kW

Now Available!!

10.4" Digital Echo Sounder

HE-775-Di

50&200kHz Model



" Di " series utilizing HONDEX's latest digital technology.

Introducing new technology of direct digital conversion. The optimized filtering even for weak signal is now available. "Deeper detection for deep water" and "Higher resolution image for shallow water" are in your hands.

" Di " Features

- Dual display for same frequency:** Different gain settings are possible for single frequency image by splitting the image of single frequency to two different screens.
- Whole Display Gain Adjustment:** Gain adjustment reflects to whole the past image (all display presentation).

10.4" Digital Echo Sounder HE-775-Di

Specifications

Display	10.4" Color TFT LCD
Number of Pixel	640 X 480
Operating Voltage	11-35V DC
Power Consumption	18W
Display Style	Portrait, Landscape & Reverse
Weight	Approx. 2.2kg
Waterproof	IPX4
Frequency	50&200kHz
Depth Range	5 to 2,000 Meters / Fathoms / Brazas 15 to 6,000 Feet
Max Shift Range	2,000 to 4,000 Meters / Fathoms / Brazas 6,000 to 8,000 Feet
Auto Range / Auto Shift	OFF / Range / Shift
Auto Gain	OFF / Low / High
A-Mode	OFF / ON
Fish Alarm	OFF / Small / Large
Water Temp. Alarm	OFF / In Range / Out Range (Optional water temp. sensor required)
Depth Alarm	OFF / In Range / Out Range
Expansion Mode	OFF / BL / Auto / Manual
Expansion Rate	X2, X4, X8
Background Color	4 Colors
Color Configuration	5 Patterns
Depth Unit	Meters / Feet / Fathoms / Brazas
Depth Readout	S / M / L
Scale Line	OFF / ON
Super Range	OFF / ON
Clean Echo	OFF / L / M / H
STC	L / M / H
TX Power	OFF / Low / High
NMEA Output	Depth (DBT sentence) Water Temp. (MTW sentence)

In the Box

- HE-775-Di Main Unit
- Power Supply Cable (DC07)



HE-775-Di Main Unit



DC07

Optional Accessories

- Thru-hull Water Temp. Sensor : TC02CS (8P-15m) + TCK01
- Transom Water Temp. Sensor : TC03-05 (8P-5m)
- Transom Water Temp. Sensor : TC03-10 (8P-10m)
- Front Cover : CV02



TC02CS



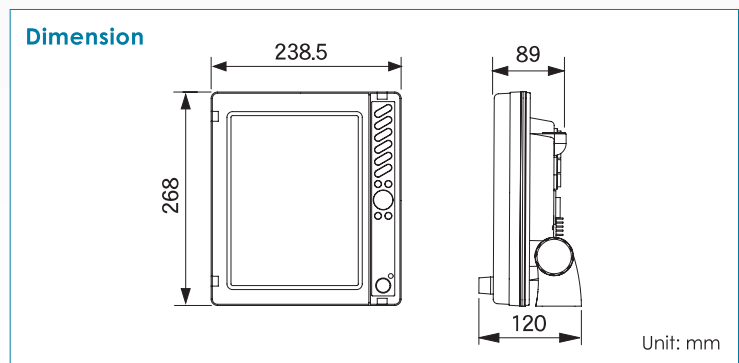
TCK01



TC03-05



CV02



Specifications are subject to change without notice.

● Dealer



HONDEX® is trade name of
HONDA ELECTRONICS CO.,LTD.

20 Oyamazuka, Oiwocho,
Toyohashi, Aichi, Japan 441-3193

TEL: 81-532-41-2512
FAX: 81-532-41-4441

HONDEX English Site
www.honda-el.co.jp/en/marine/

