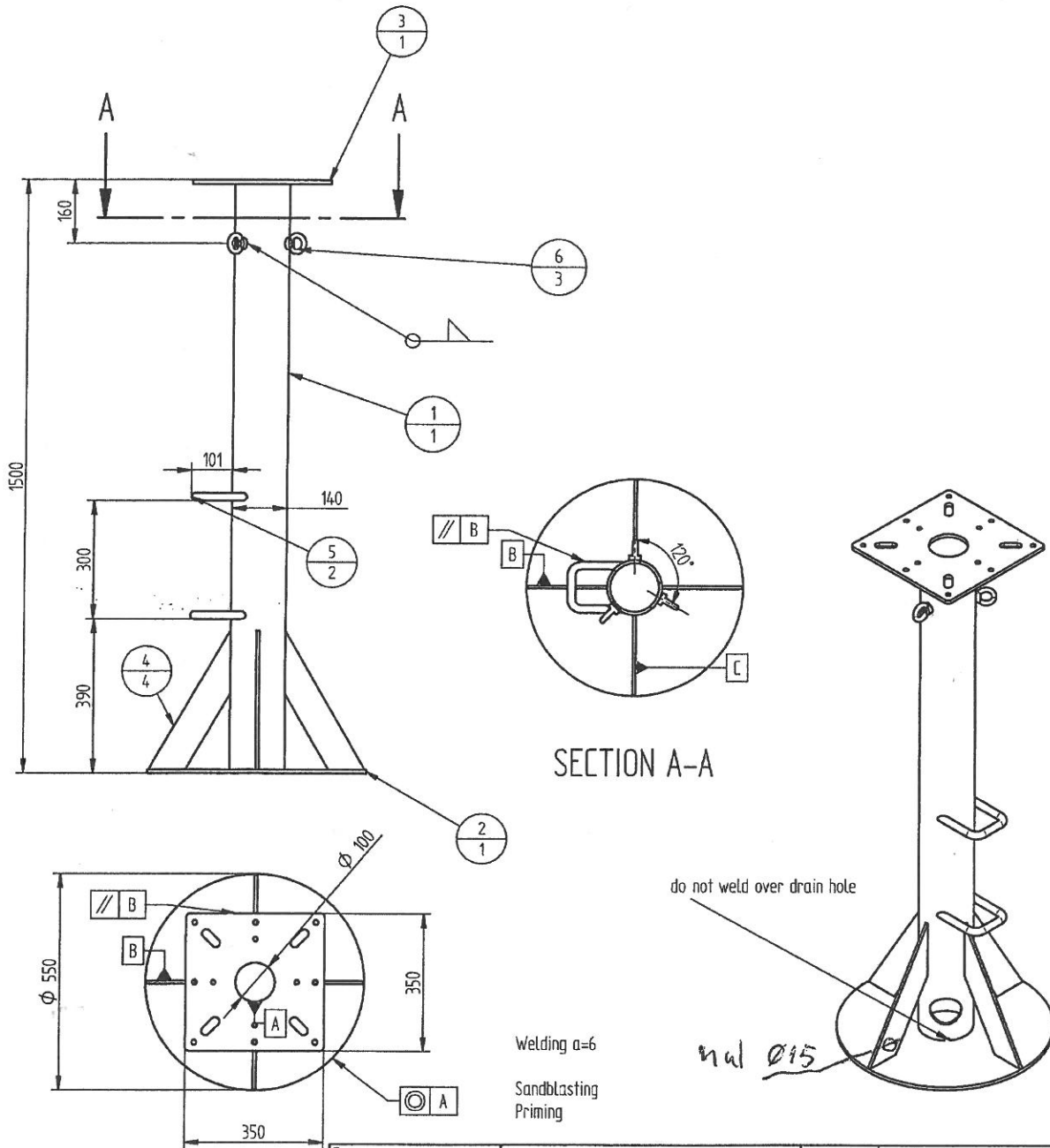


Item Number	Document Number	Title	Material	Quantity	Revision
1	70.033-02	mast core	S235	1	
2	60.613.04	floor plate	S235	1	A
3	70.033-03	top plate	S235	1	A
4	60.613.05	reinforcement bracket	S235	4	00
5	60.613.06	ladder step	S235	2	00
6	Lifting eye nut M12 DIN 582		Steel	3	



Drw:ks	Size, std:	Tolerance	Geometric tolerance symbols acc. ISO1101
Chk:	Material:	ISO 2768-1	General tolerance symbols acc. ISO2768
App:	Finish:	Surface roughness symbols acc. ISO1302	
Prod:	Client:	Next assmbl.	
Sheet: 1 of 1	Order No:	Description <b>Antenna mast PED4</b>	
Scale 1:10	Mass 90 kg	Metric/mm	Drawing number 70.033-00
Polaris Electronics			Rev. A B